

D 20614

(Pages : 4)

Name.....

Reg. No.....

**THIRD SEMESTER B.TECH (ENGINEERING) DEGREE EXAMINATION
OCTOBER 2011**

AN/ME/AM 09 304/ PTME 09 303—COMPUTER ASSISTED MACHINE DRAWING
(2009 Admissions)

Time : Three Hours

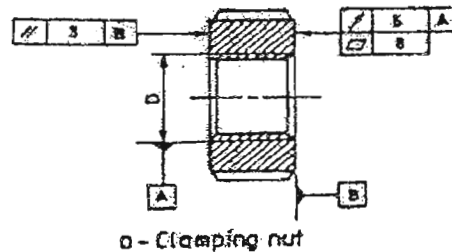
Maximum : 70 Marks

1. Draw the following views of socket and spigot cotter joint suitable for rod diameter 30 mm :—
 - (i) Front view in half section.
 - (ii) Top view.
 - (iii) A view looking from socket end.

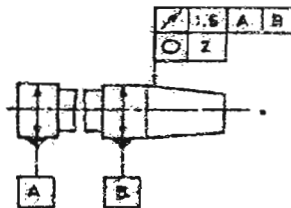
(15 marks)

Or

2. Draw in assembly the flat and hollow saddle keys for 40 mm diameter shaft. Use empirical proportions. The drawing should be completely dimensioned. (15 marks)
3. Explain the meaning of the geometrical tolerances indicated for the machine tool points as shown in Fig.1.



a - Clamping nut



b - Grinding spindle

Fig. 1.

(20 marks)

Or

Turn over

5. A petrol engine connecting rod has the part details shown in Fig. 3. Prepare the following assembled views of them :-
- (i) Front view with the top half in section.
 - (ii) Top view with front half in section.

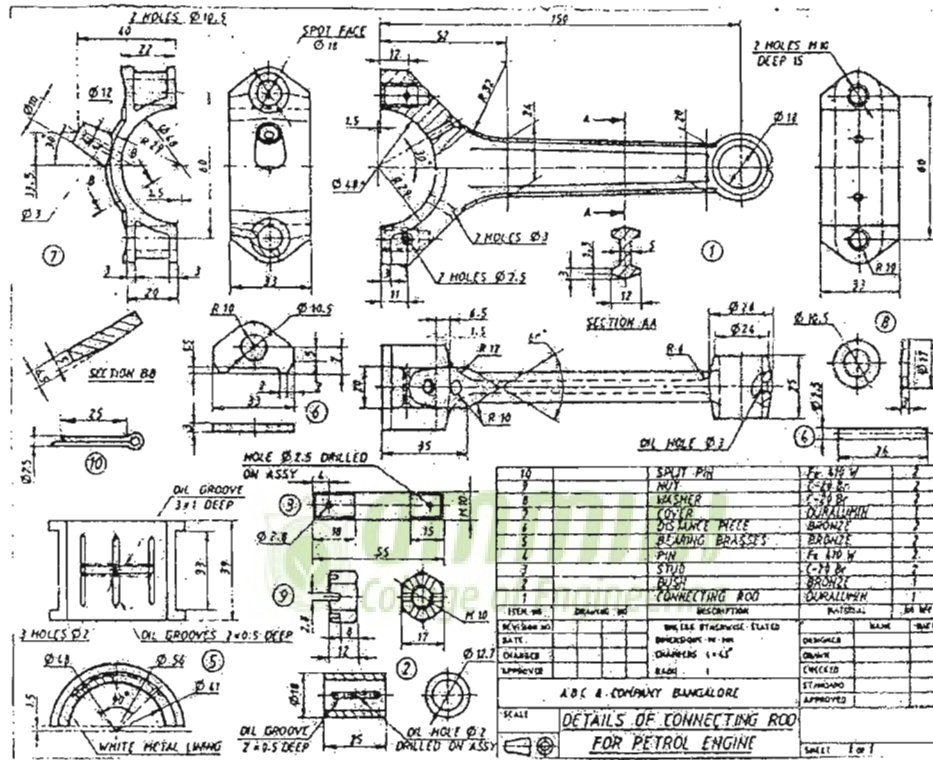


Fig. 3.

(35 marks)

Or

Turn over

6. Fig 4. shows the details of Blow off Cock. Draw the following views after assembling the parts :-
 (i) Front view in half section.
 (ii) Top view.

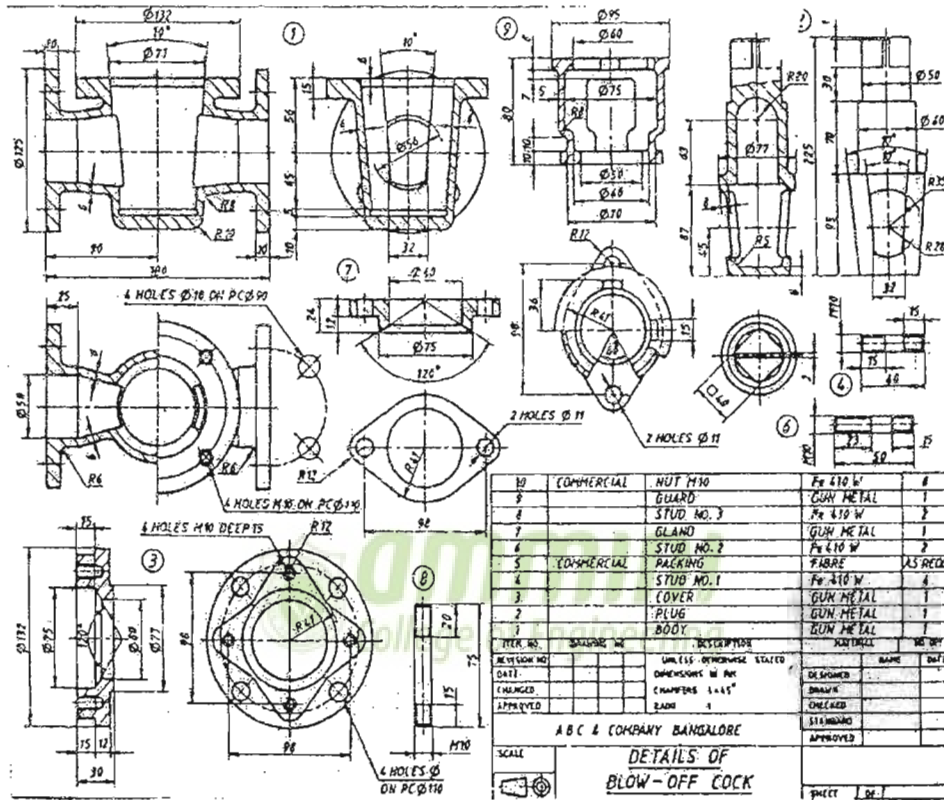


Fig. 4.

(35 marks)