

LIB

9/6/10

FV

C 6292

(Pages : 2)

Name.....

Reg. No.....

**COMBINED FIRST AND SECOND SEMESTER B.TECH. (ENGINEERING)  
DEGREE EXAMINATION, MAY 2010**

EN 09— 108 (A)—ENGINEERING GRAPHICS (A)

(2009 admissions)

(Common to B.Arch. AE, AN, AU, BT, EC, EEE, JC, PE, PT)

Time : Three Hours

Maximum : 70 Marks

*Answer three questions from Part A and any two questions from Part B.*

*All questions carry equal marks.*

**Part A**

1. (a) The mid-point of a straight line AB 90 mm long is 60 mm above the HP and 50 mm in front of VP. It is inclined at 30 degree to HP and 45 degree to VP. Draw its projections.

Or

- (b) A circular lamina of diameter 65 mm has the end C of the diameter CD in the HP and the end D in the VP. Draw its top and front views when its surface is inclined at 45° to HP and 35° to the VP.

2. (a) A pentagonal pyramid of base side 30 mm and altitude 65 mm is resting on ground on one of its one of its base edges with the axis inclined at 35° to HP and parallel to VP. Draw its projections.

Or

- (b) A hexagonal pyramid of base of side 25 mm and altitude 50 mm rests with its base on HP with two edges of the base perpendicular to VP. A cutting plane inclined at 45° to HP cuts the pyramid at a height of 20 mm above the base. Draw the sectional top view and the true shape of section.

3. (a) A hexagonal prism of base side 30 mm and axis length 60 mm is resting on HP on its base with two of its vertical faces perpendicular to VP. It is cut by a plane inclined at 50° to HP and perpendicular to VP and meets the axis of prism at a distance 10 mm from the top end. Draw the development of the lateral surface of the prism.

Or

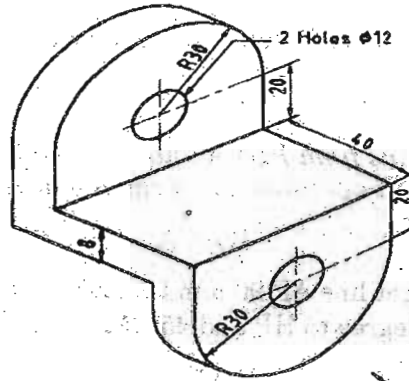
- (b) Draw the development of the lower portion of a cylinder of diameter 45 mm and the axis 60 mm. and it is cut by a plane inclined at 35° to the HP, perpendicular to the VP and bisecting the axis.

**Part B**

4. A square pyramid of base 30 mm side and axis 65 mm height rest on the ground on its base with base edge parallel to VP. It is cut by a plane perpendicular to the VP, inclined to the HP bisects the axis. Draw the isometric projection of the square pyramid.

Turn over

5. A hexagonal pyramid of base side 25 mm and axis length 50 mm is resting on GP on its base with a side of base is parallel to and 20 mm behind PP. The section point is 60 mm above the GP and 80 mm in front of PP and lies a central plane which is 50 mm to the left of the axis of the pyramid. Draw the perspective view of the pyramid.
6. Draw the plan, elevation and left side view of the block shown in Figure below.



C 6293

(Pages : 2)

Name.....

Reg. No.....

COMBINED FIRST AND SECOND SEMESTER B.TECH. (ENGINEERING)  
DEGREE EXAMINATION, MAY 2010

EN 09. 108(B)—ENGINEERING GRAPHICS (B)

(2009 admissions)

[Common to CE, CS, IT, ME, CH, BM]

Time : Three Hours

Maximum : 70 Marks

*Answer three questions from Part A and two questions from Part B.  
All questions carry equal marks.*

**Part A**

1. (a) A line EF 75 mm. long is inclined at an angle of  $40^\circ$  to VP and parallel to HP. The point E is 20 mm. above HP and 30 mm. in front of VP. Draw the projections of the straight line.

Or

- (b) A square lamina of side 35 mm. having a hole of 20 mm. diameter at the centre is perpendicular to HP and resting on one of its edge on HP. Lamina makes an angle of  $30^\circ$  to V.P. Draw its projections.
2. (a) A pentagonal prism of side 30 mm. and axis 75 mm. long lies with one of its longer edge with its axis parallel to both HP and VP. One of its rectangular face containing resting edge is inclined  $40^\circ$  to HP. Draw its projections.

Or

- (b) A pentagonal pyramid of base side 45 mm. and altitude 100 mm. rests with its base on HP and with a side of base parallel to VP. It is cut by a section plane perpendicular to VP and inclined at  $35^\circ$  to HP and bisecting the axis. Draw the sectional plan of the pyramid and the true shape of section.
3. (a) A vertical cylinder of 70 mm. diameter and 110 mm. length is penetrated by another horizontal cylinder, 40 mm. diameter and length 145 mm. the axis of the horizontal cylinder bisects the axis of the vertical cylinder. Draw the projections showing the curves of inter section.

Or

- (b) A pentagonal prism, side of base 25 mm. and axis 55 mm. long, rests with its base on HP and an edge of the base is inclined at  $45^\circ$  to VP. It is cut by a plane perpendicular to VP, inclined at  $30^\circ$  to HP and passing through a point on the axis at a distance of 35 mm. from the base. Develop the lateral surface of the truncated prism.

**Part B**

4. A hexagonal prism of base 30 mm. side and axis height 70 mm. has a hole of diameter 30 mm. such that the axes are collinear. Draw the isometric view.

Turn over

5. A rectangular pyramid of base size  $30 \times 20$  mm. and height 35 mm. rest with its base on the ground such that one of the longer base edge is in the picture plane and rest behind in it. The station point is 30 mm. in front of the picture plane, 50 mm above the ground and 30 mm. to the left of the axis of the pyramid. Draw the perspective view of the solid.
6. Draw the plan elevation and left side view of the block shown in Figure below.

